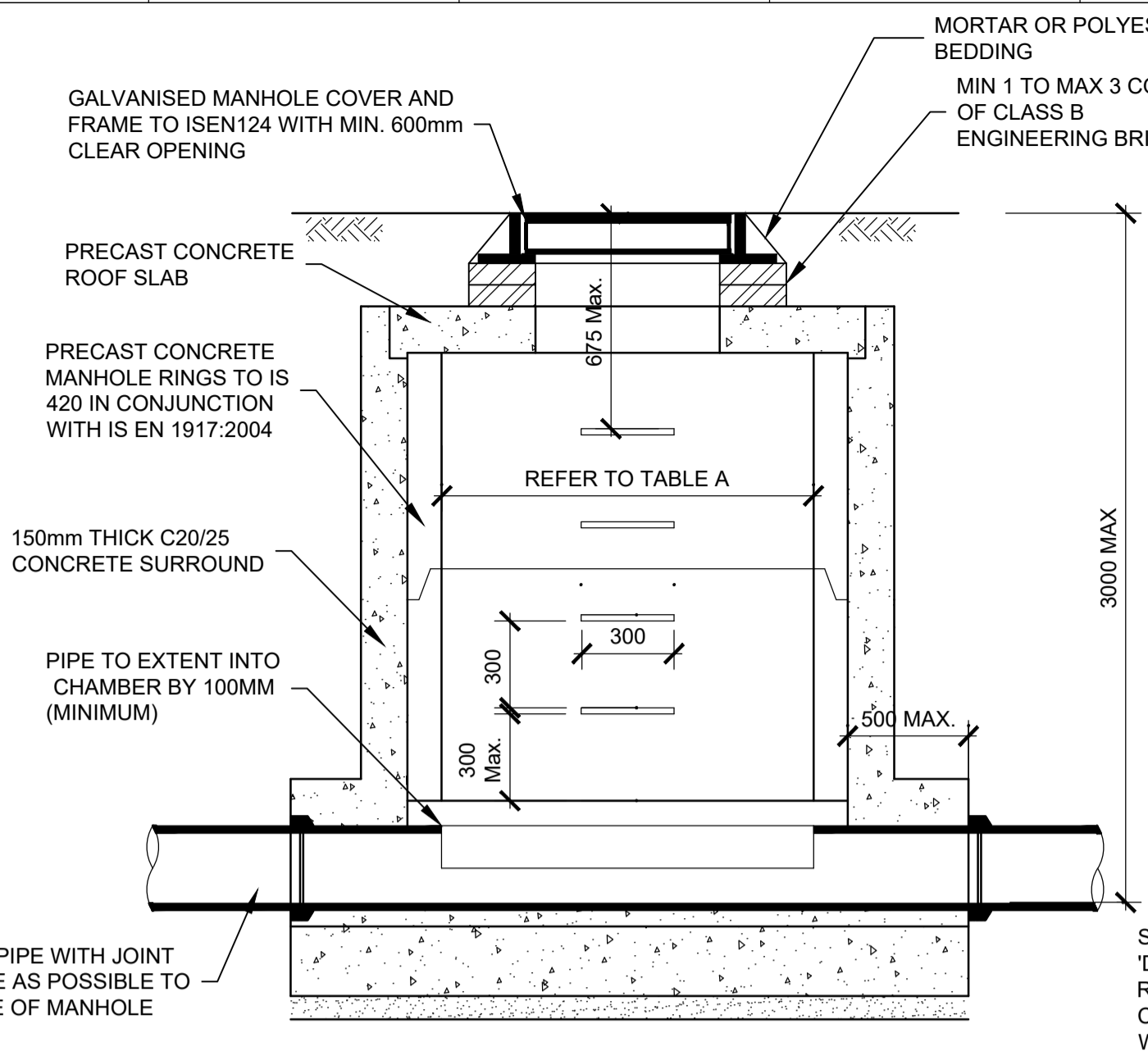


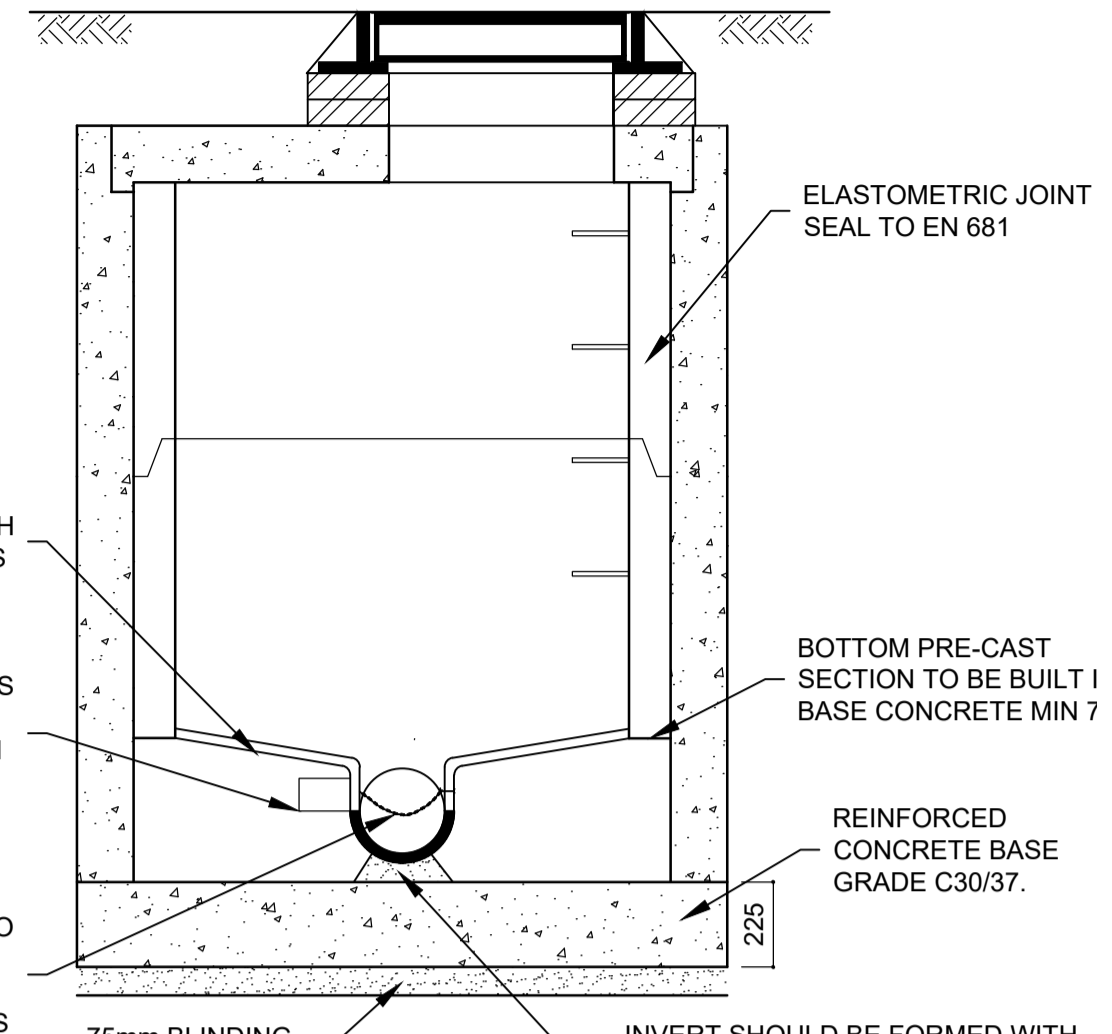
Sectional Plan



Section A-A

Shallow Precast Concrete Manhole

SCALE 1:20
(DEPTHS UP TO 3.0m)



Section B-B

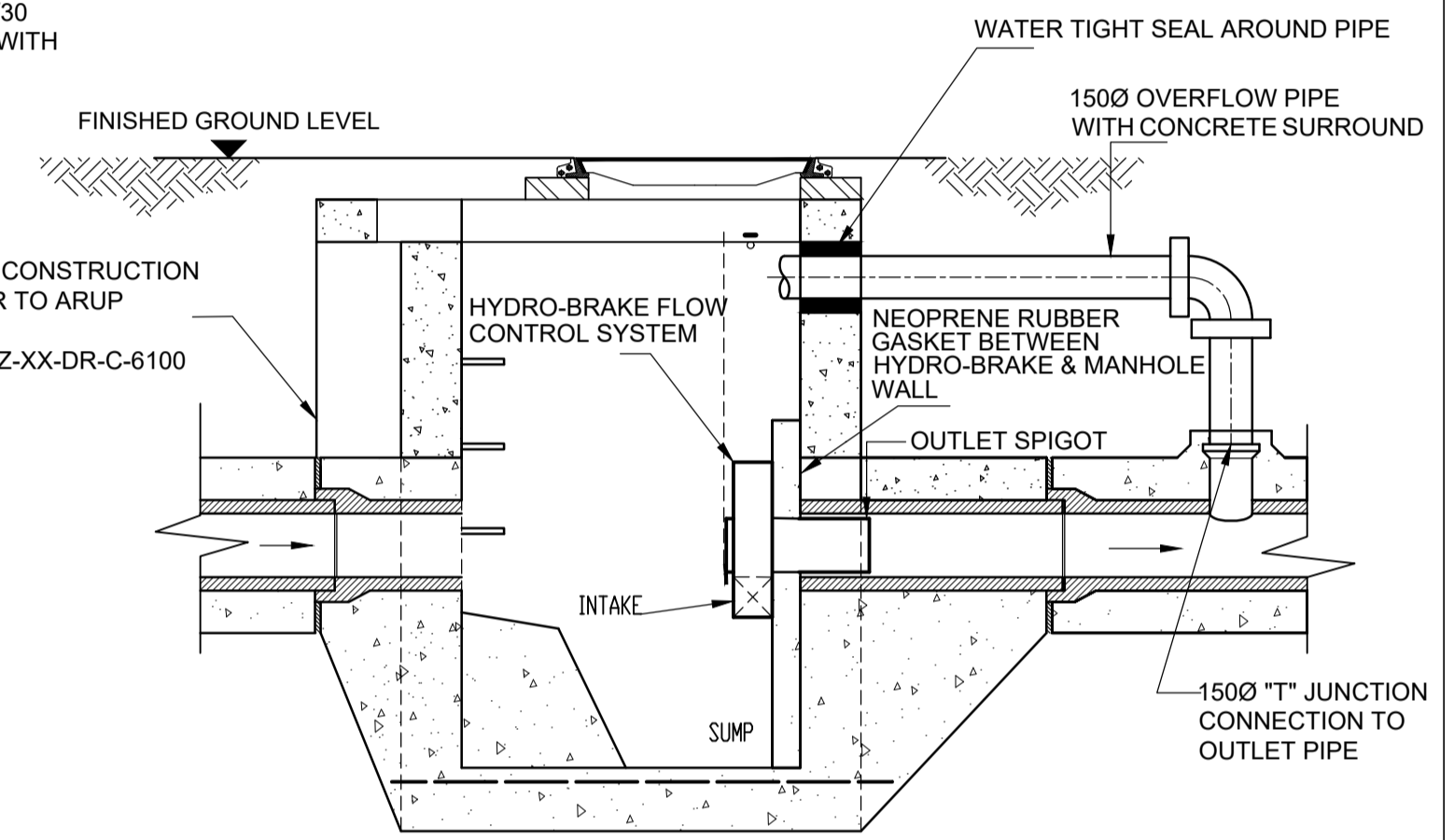
NOTES :

MANHOLE CONSTRUCTION
CONCRETE MANHOLES SHALL BE CONSTRUCTED OF PRECAST UNITS COMPLYING WITH E.N.420 AND SHALL BE OF THE DIMENSIONS AS SHOWN ON THE DRAWING.

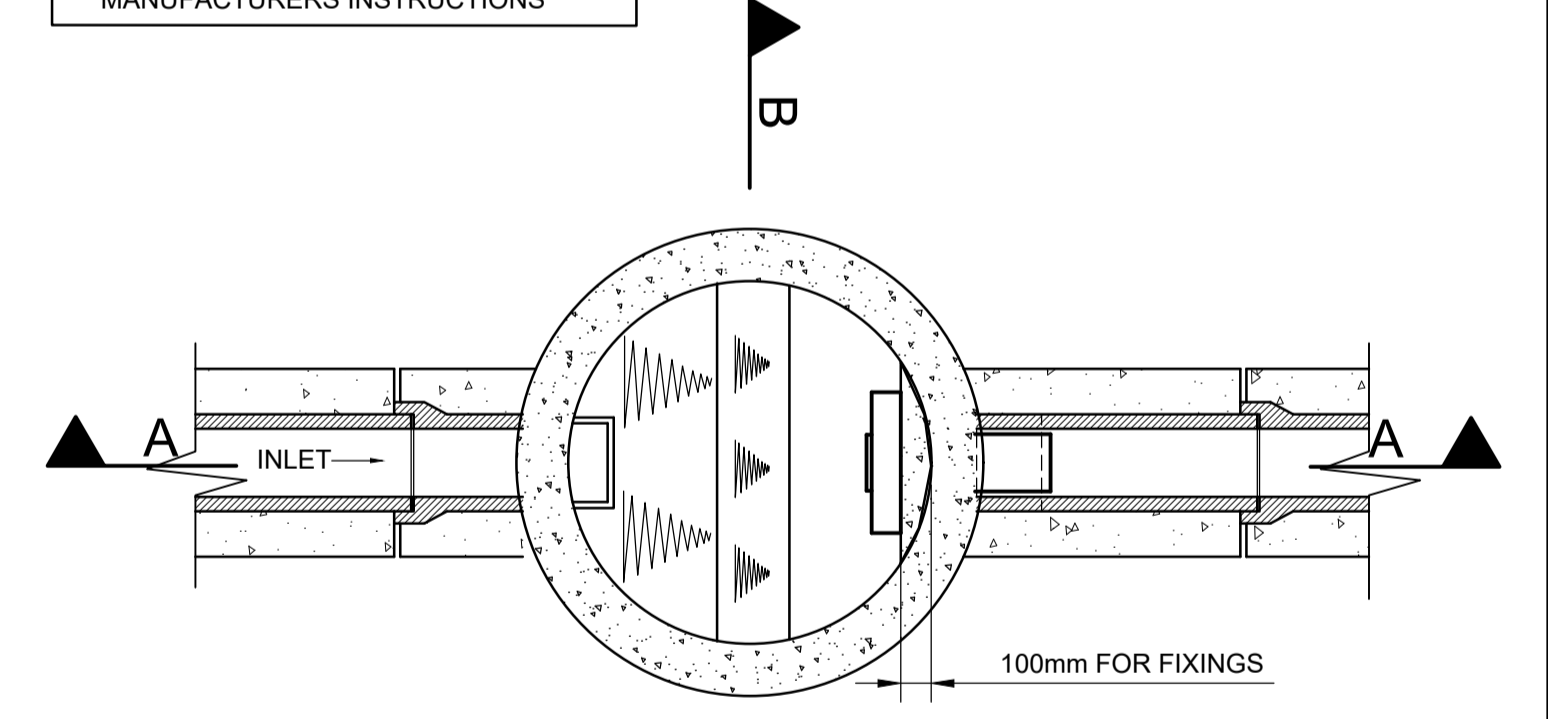
COVERS
MANHOLE COVERS AND FRAMES TO COMPLY WITH THE REQUIREMENTS OF EN 124:1994. COVERS IN ROADWAYS TO BE AN APPROVED MINIMUM CLASS D400 WITH 600mm CLEAR OPENING. COVERS SHALL BE STEEL OR IRON FABRICATED GALVANISED WITH 100mm DEEP FRAME, NON ROCK BY MEANS OF V SHAPED SEATING WITH WEDGING. COVERS TO BE THIRD PARTY CERTIFIED e.g. BSI KMI OR SIMILAR UNLESS NOTED OTHERWISE.

ACCESS STEPS/LADDERS
MANHOLE STEPS TO COMPLY WITH IS EN 13101, TYPE D, CLASS 1, GALVANISED MILD STEEL & PLASTIC ENCAPSULATED. STEPS ARE REQUIRED IN MANHOLES UP TO A GROUND TO PIPE SOFIT DEPTH OF LESS THAN 3.0M. MANHOLE LADDERS ARE REQUIRED FOR MANHOLES WITH A DEPTH IN EXCESS OF 3.0M & LADDERS ARE TO COMPLY WITH IS EN 14396.

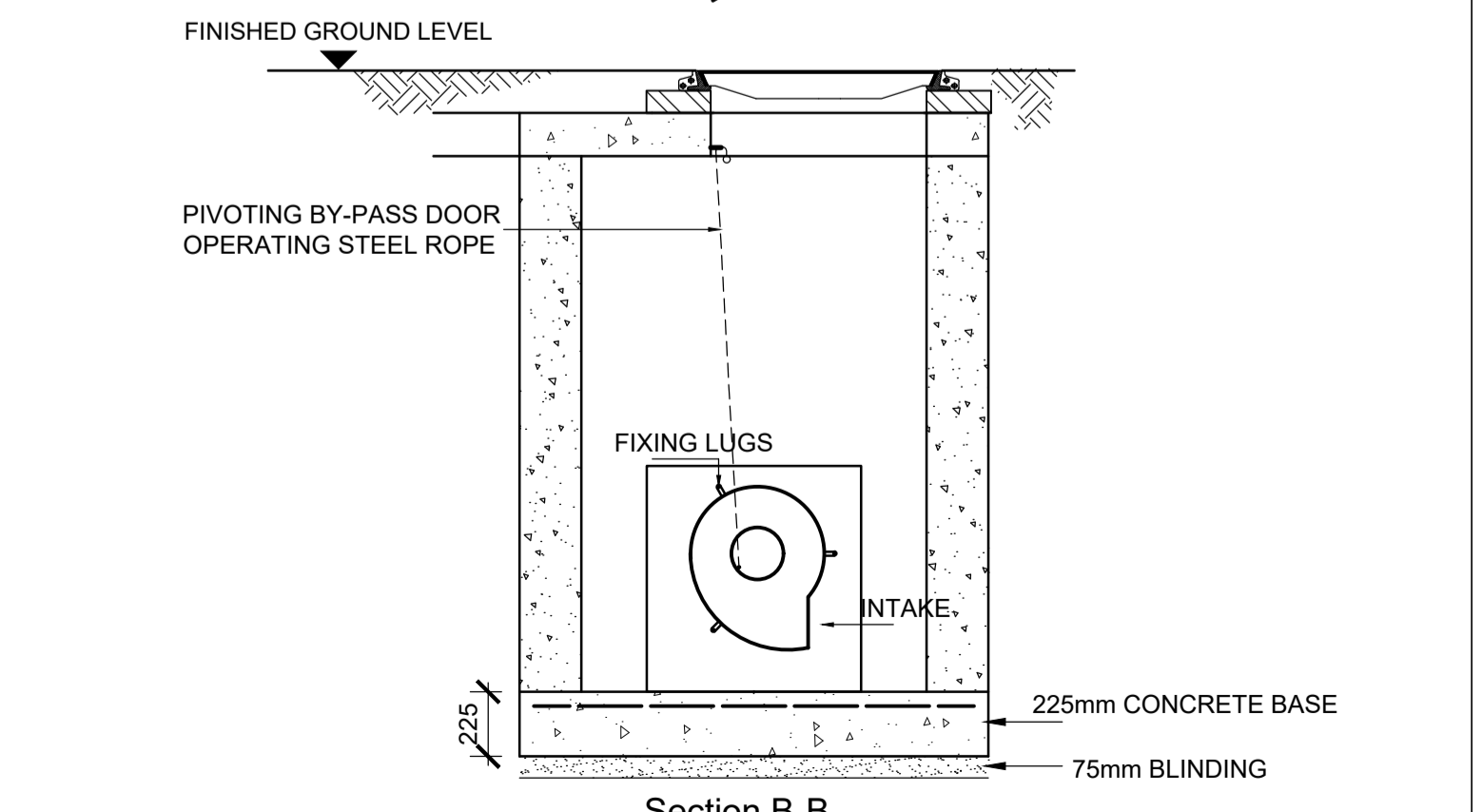
BENCHING
BENCHING IS TO BE FORMED IN C25/30 CONCRETE AND SHOULD RISE VERTICALLY FROM THE TOP EDGE OF THE CHANNEL TO A HEIGHT NOT LESS THAN THAT OF THE SOFFIT OF THE OUTLET AND SLOPE UPWARDS TO MEET THE WALL OF THE MANHOLE AT A GRADIENT OF 1:6 (MIN RISE 25mm). IT SHOULD BE FLOATED WITH A STEEL FLOAT TO A SMOOTH HARD SURFACE WITH A 25mm THICK COAT OF 1:1 CEMENT MORTAR LAID WHILE THE BENCHING CONCRETE IS STILL GREEN.



Section A-A



Sectional Plan



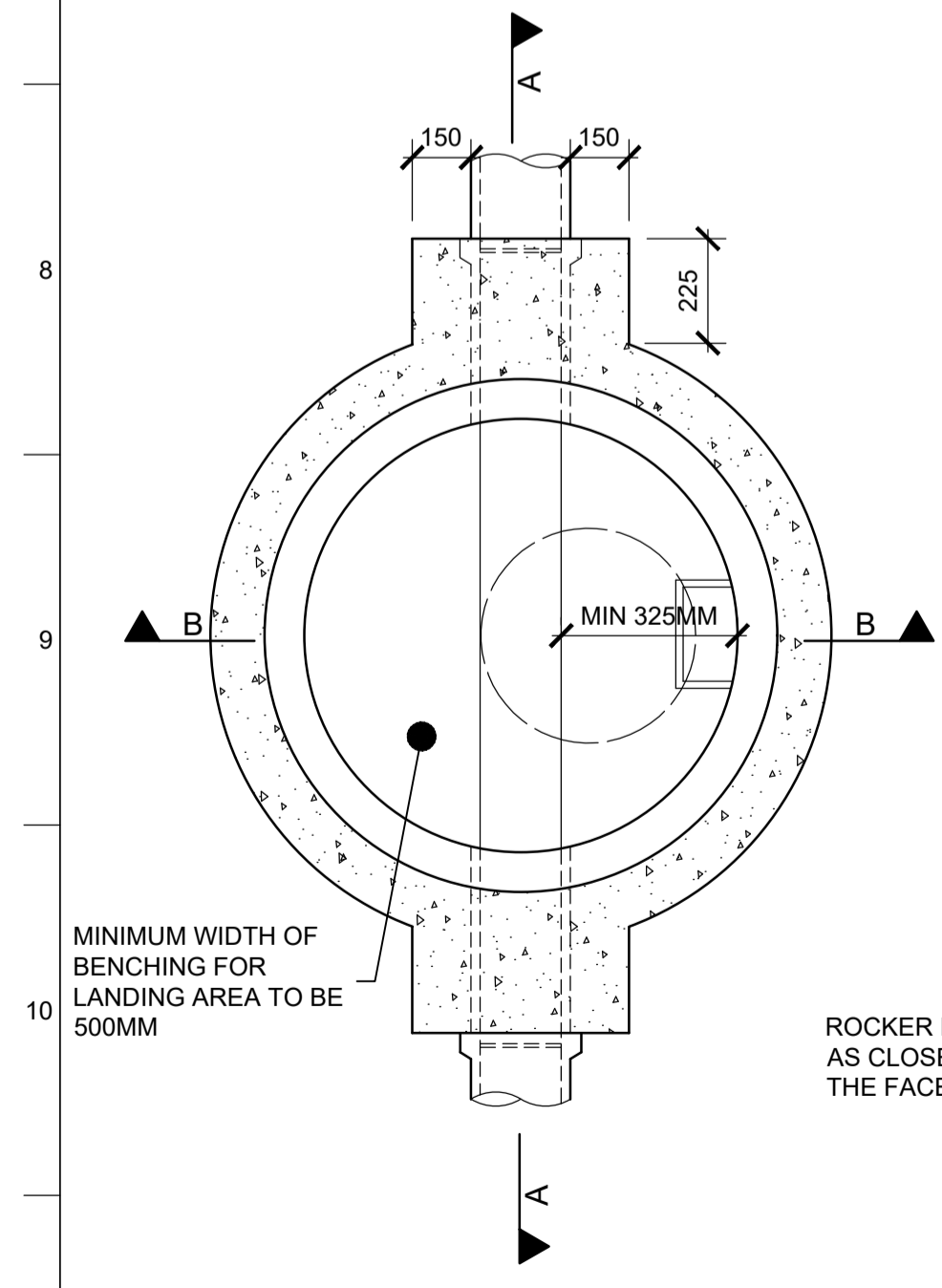
Section B-B

Hydro-Brake Flow Control Chamber

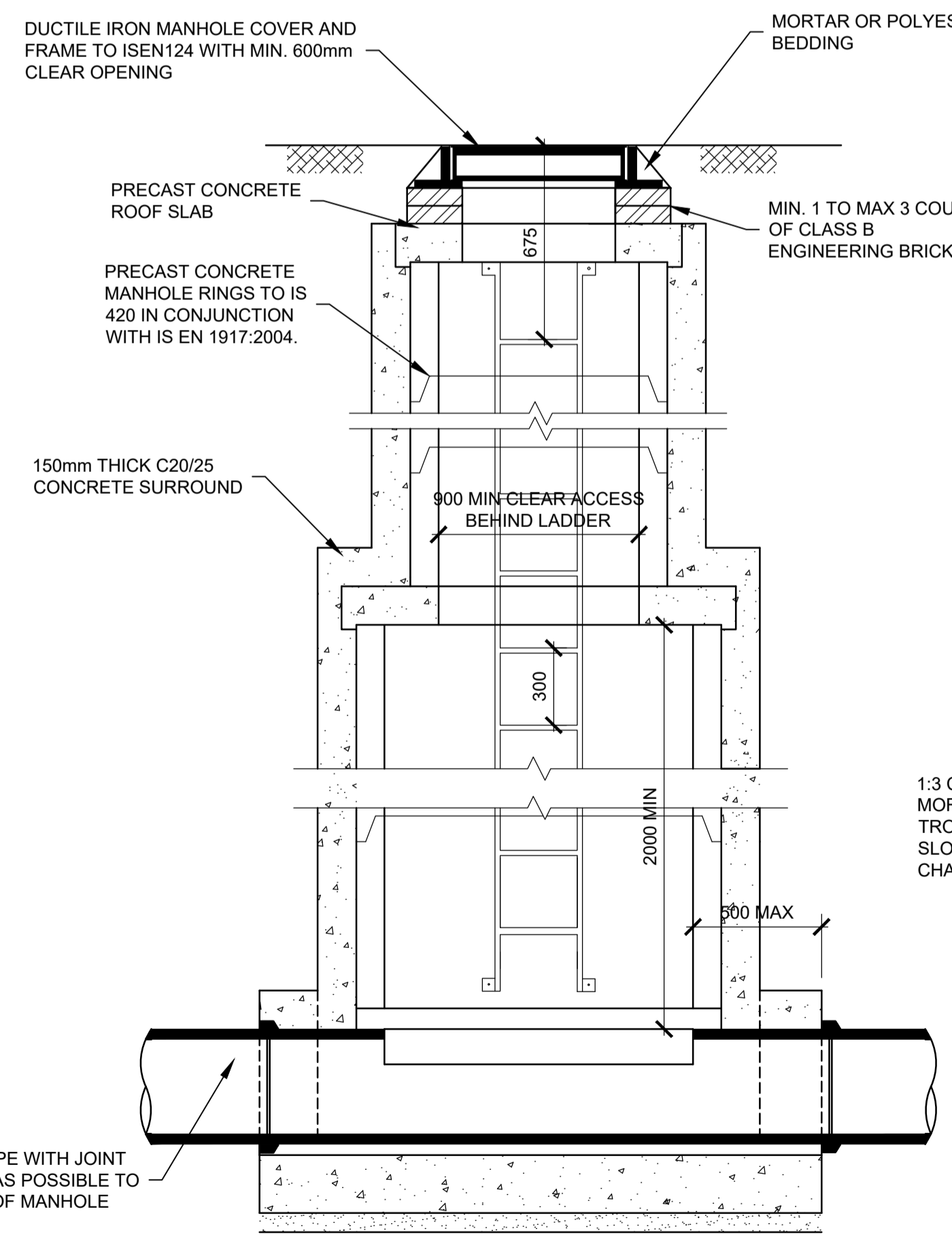
Scale 1:25

- Notes:
- This Drawing shall be Read in Conjunction with all Other Relevant Specifications & Drawings.
 - All Dimensions in Millimeters (mm) unless noted otherwise.
 - All Foul Water Infrastructure to be Designed and Constructed in Accordance with the Irish Water Code of Practice and Standard Details.
 - All Watermain Infrastructure to be Designed and Constructed in Accordance with the Irish Water Code of Practice and Standard Details.

PIPE DIA. mm	MANHOLE SIZE DIA.
100 - 375	1.2m Ø
450 - 750	1.5m Ø
900	1.8m Ø



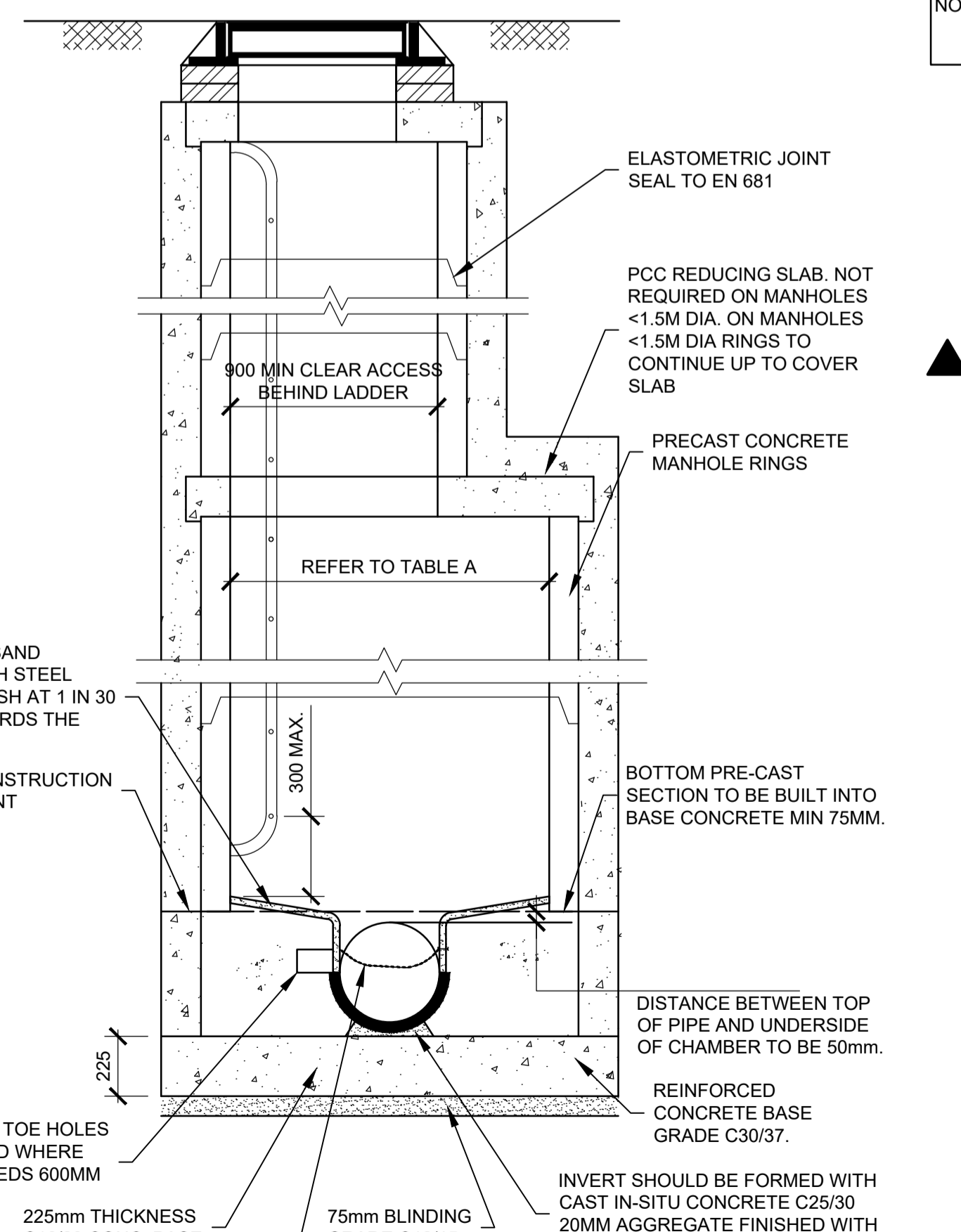
Sectional Plan



Section A-A

Deep Precast Concrete Manhole

Scale 1:20
(Depths Over 3.0m & up to 5.5m)



Section B-B

P03	21/03/22	ROD	RM	JMaC
Issued for Information (Status S2)				
P02	02/02/22	RM	RM	JMaC
Issued for Information (Status S2)				
P01	19/11/21	RM	RM	JMaC
Issued for Information (Status S2)				
Rev	Date	By	Chkd	Appd

ARUP

One Albert Quay
Cork, Ireland
Tel +353 (0)21 422 3200
www.arup.com

Client
Tiznow Property Company Limited

Project Title
Former Cork Warehouse Site

Drawing Title
Proposed Drainage & Water Details
Sheet 1 of 2

Scale at A1	As Shown
Role	Civil Infrastructure
Suitability	S2 - Suitable for Information
Arup Job No	267365-00
Rev	P03
Name	267365-ARUP-ZZ-ZZ-DR-C-6100